

**LZ-6DR/RD Refractory gunning machine with diesel engine**

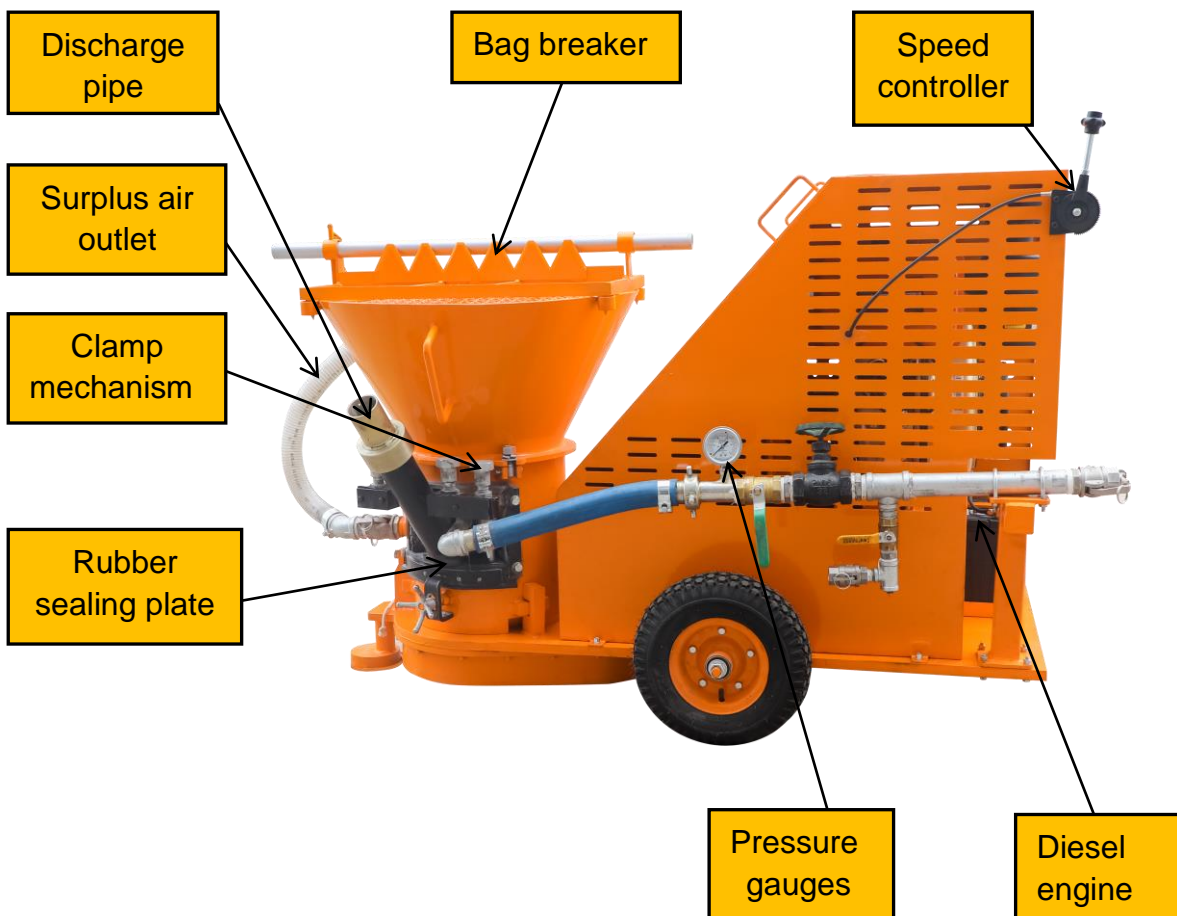
**1. Description:**

LZ-6DR/RD Refractory gunning machine with diesel engine provides a steady flow of material which allows uniform hydration and very smooth spraying.

The adjustable output of the material may be increased without sacrificing the quality of the application. The compact LZ-6DR/RD is capable of spraying through 38mm inner diameter conveying hoses. Widely used in refractory spraying and installing projects.

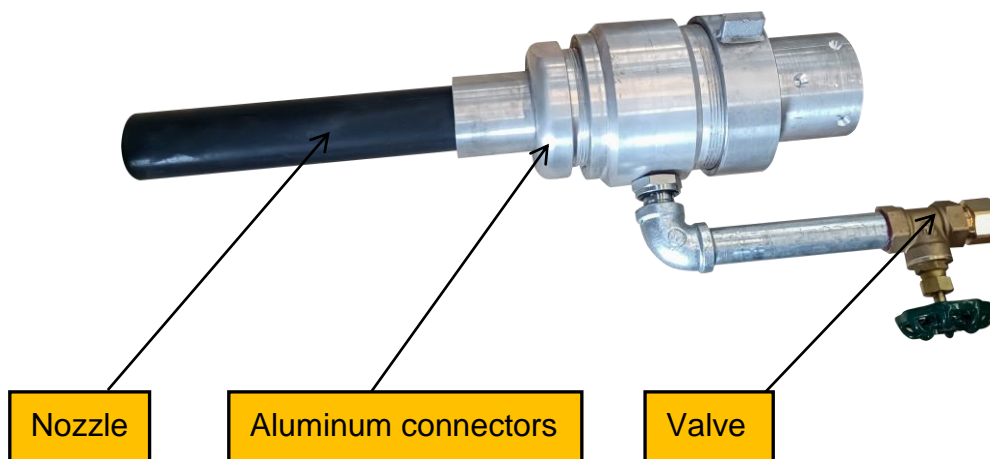
LZ-6DR/RD uses a diesel engine to rotate the machine's material feed bowl. An air compressor is required to convey material from the feed bowl to the nozzle.

**2. Features:**



- ◆ Driven by 8.2KW diesel engine;
- ◆ Continuous feed hopper;
- ◆ Bag breaker included;
- ◆ Double-blade materials agitator;
- ◆ Pressure gauges, pressure visible;
- ◆ Rubber plates can be quickly replaced;
- ◆ Easy to operate and maintain;
- ◆ Compact and easy to move;

➤ Nozzle Assy

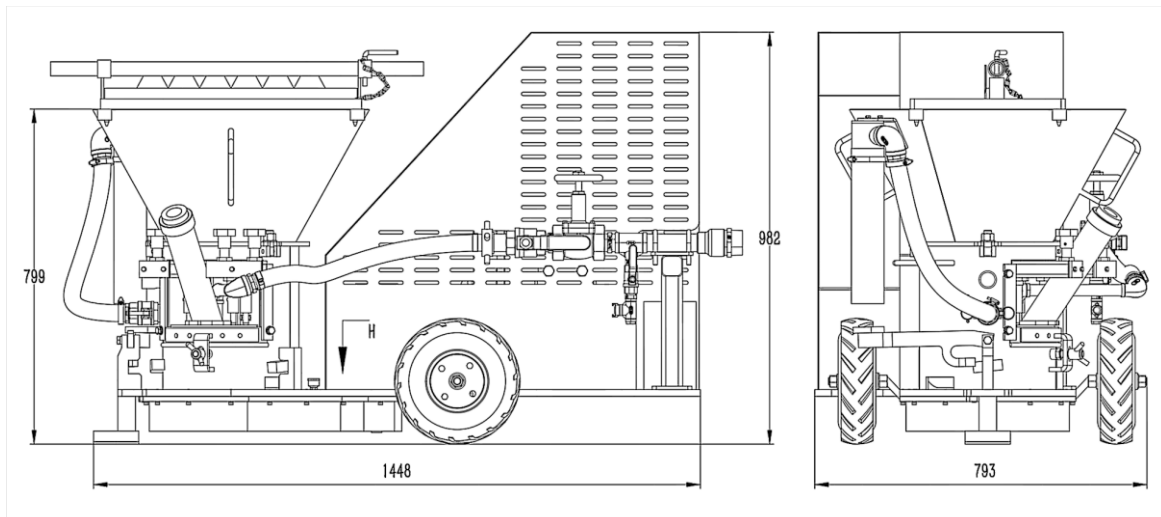


- ◆ Low rebound, low dust;
- ◆ Compact and simple structure;
- ◆ Aluminum connectors, light weight, more user-friendly.

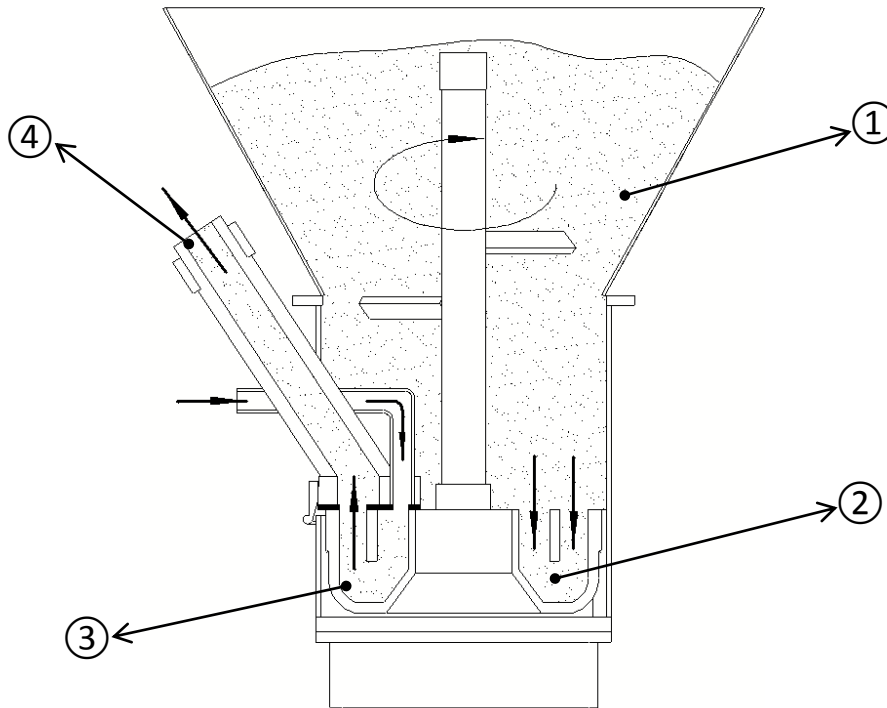
3. Technology Sheet:

Model	LZ-6DR/RD
Maximum output	6m <sup>3</sup> /hr
Hopper capacity	80L
Max. aggregate size	10mm
Feed bowl pocket number	16
Hose ID	38mm
Diesel engine power	8.2KW
Cooling	Air
Diesel tank capacity	6L
Dimension	1600×800×980mm
Weight	420Kg

Maximum theoretical performance is shown above. Actual performance will vary depending on slump, mix design and delivery line diameter. Specifications are subject to change without prior notice.



#### 4. Operating Principle:



- ① The dry material is fed through the hopper down into the pockets of the rotary feed wheel below.
- ② The rotary feed wheel, driven by a heavy-duty oil bath gear drive, rotates the mix under the conveying air inlet and material outlet.
- ③ With the introduction of compressed air, the mix is evacuated from the feed wheel pockets and then travels through the outlet and into the hoses.
- ④ The dry mix material is then conveyed in suspension through hoses to the nozzle, where water is added, and the water and dry material mix.

## 5. Application:

- ◆ Refractory Spraying;
- ◆ Structural Concrete Repair;
- ◆ Slope Stabilization;
- ◆ Tunnels and Mine Support;
- ◆ Pools and Spas;
- ◆ Retaining and Fire Walls;
- ◆ Dams and Reservoirs;
- ◆ Sand and Gravel Backfill.



## 6. Machine Pictures Gallery:





## Zhengzhou Lead Equipment Co., Ltd.

Add: Xisihuan Ring-Road East, Tielu, Xiliu lake sub-district, Zhongyuan District,  
Zhengzhou, Henan

Website: [www.leadcrete.com](http://www.leadcrete.com)

Email: [sales@leadcrete.com](mailto:sales@leadcrete.com)