

### **LHS0117 1200L 320gallon capacity hydroseeder**

The LHS0117 Hydroseeder is one ideal entry-level machine loaded with features that come standard with every unit. Mainly used for smaller hydroseeding projects such as professional quality seeding, fiber mulching and much more.

The LHS0117 goes everywhere you need it to go: residences, cemeteries, golf courses, sports fields, office and apartment complexes, parks, and more.



#### **FEATURES AND BENEFITS**

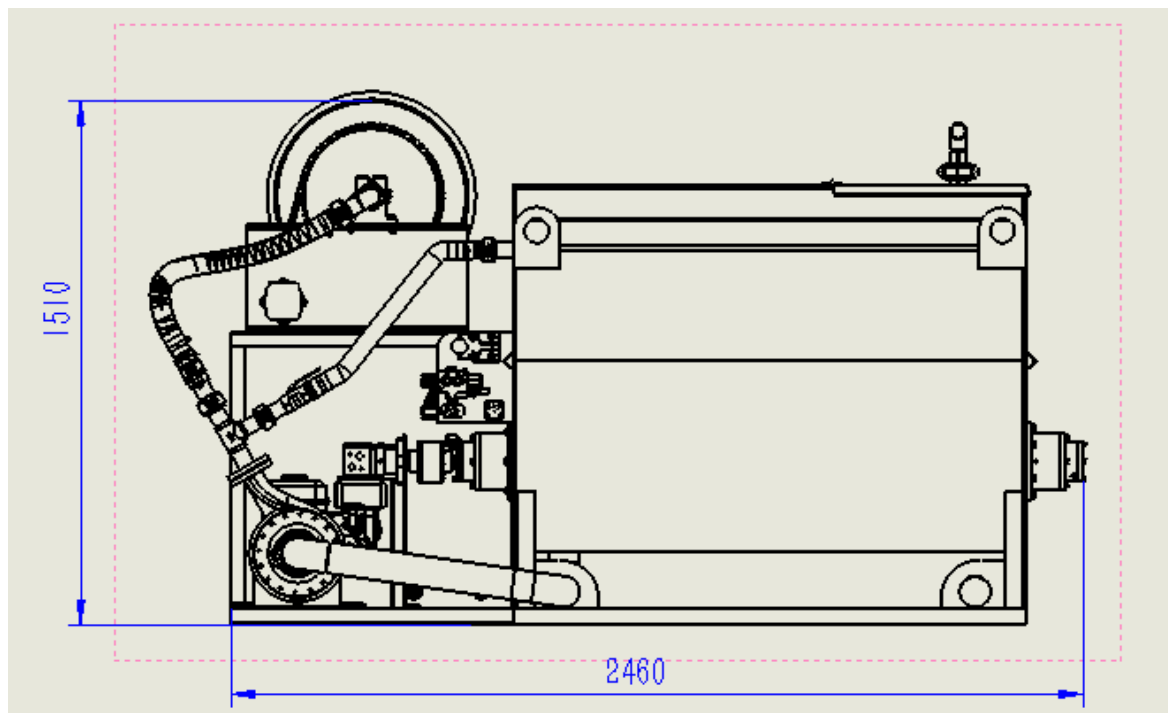
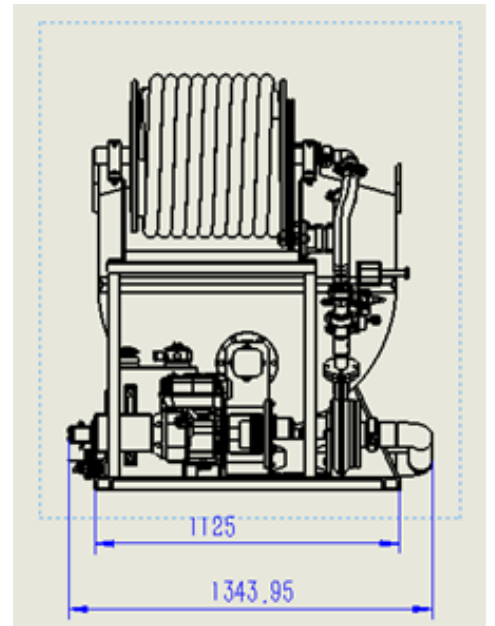
1. Durable, 1200L (320gallon) capacity steel tank
2. 17kw Briggs & Stratton gasoline engine, air cooled
3. Especially designed centrifugal pump: 3"x1.5", capacity15m/h, it handles the thickest of slurries with ease
4. With hydraulic or electric hose reel with a 30m rubber hose
5. Hydraulically-driven and reversible mechanical agitator, agitator with helical paddle orientation and liquid recirculation.
6. Spraying distance of up to 26m from the cannon
7. Reliable mechanics for long life and easy maintenance

地址 ADD: 郑州市中原区西流湖街道办事处铁炉村西四环东 邮编 P.C.:450042  
 .Xisihuan Ring-Road East, Tielu, Xiliu lake sub-district, Zhongyuan District, Zhengzhou,  
 网址 (Web) :<http://www.leadcrete.com> 邮箱 E-Mail: [sales@leadcrete.com](mailto:sales@leadcrete.com)  
 电话 TEL.:+86-371-63902781 传真 FAX:+86-371-63526676

8. Simple control for a one-man operation that is both economical and profitable

**TECHNICAL DATA SHEET**

<b>Model</b>	<b>LHS0117</b>
Power	17kw Briggs & Stratton gasoline engine, air cooled
Tank size	Liquid capacity: 1200L(317Gallon) Working capacity: 1000L(264Gallon)
Pump	Centrifugal pump:3"x1.5" (7.5X3.75cm), 15m <sup>3</sup> /h@5bar, 19mm solid clearance
Agitation	Mechanical agitator with helical paddle orientation and liquid recirculation
Rotating speed of mixer shaft	0-110rpm
Maximum horizontal conveying distance	26m
Spraying guns type	Hose gun
Height of fence	1100mm
Dimensions	2600x1340x1515mm
Weight	1320kg





郑州佰利得机器制造有限公司

Lead Equipment Co., Ltd.

地址 ADD: 郑州市中原区西流湖街道办事处铁炉村西四环东 邮编 P.C.:450042  
.Xisihuan Ring-Road East, Tielu, Xiliu lake sub-district, Zhongyuan District, Zhengzhou,  
网址 (Web) :<http://www.leadcrete.com> 邮箱 E-Mail: [sales@leadcrete.com](mailto:sales@leadcrete.com)  
电话 TEL.:+86-371-63902781 传真 FAX:+86-371-63526676

---

**Zhengzhou Lead Equipment Co., Ltd.**

Add: Xisihuan Ring-Road East, Tielu, Xiliu lake sub-district,  
Zhongyuan District, Zhengzhou, Henan

Web: <https://www.leadcrete.com>

E-Mail: [sales@leadcrete.com](mailto:sales@leadcrete.com)

TEL.: +86-371-63902781

FAX: +86-371-63526676