

LGP350-800-70PI-E Grout Station



Description:

LGP350-800-70PI-E grout station is a combination of mixer, agitator and grout pump in one base frame. It is mainly used to be made bentonite slurry, cement slurry, etc., in the application highway, railway, hydropower, construction, mining and other ground and underground construction.

High speed vortex mixer ensures mix quickly and evenly. Water, cement or bentonite is quickly mixed into a homogeneous slurry. Then the mixed slurry was delivered to the agitator. Grout pump injects from the mixing drum (storage tank). This ensures a continuous mixing and grouting operations. The grouting plant is full hydraulic drive with electric motor. Grouting pressure and displacement is step-less adjustable. Compact size and it is easy to operate. It also takes up a small space.

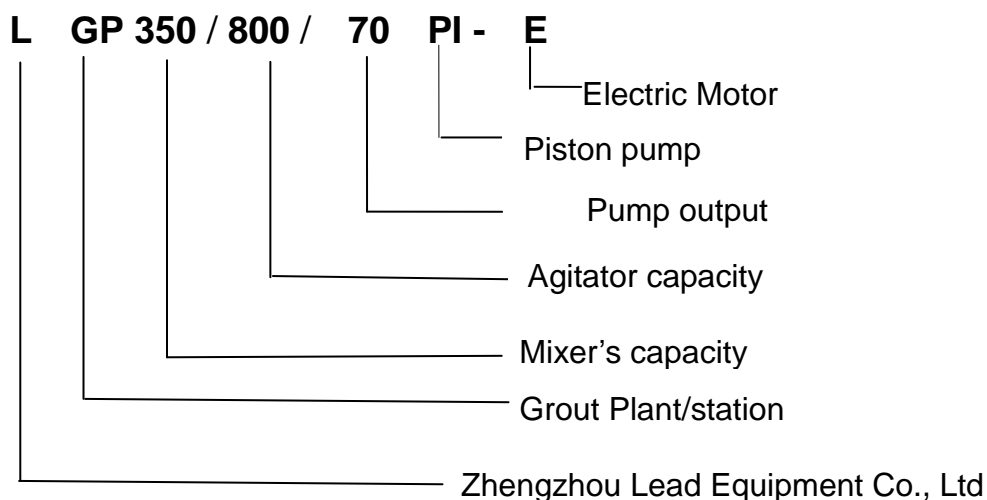
Feature

- ★ Pump output is 0-70L/min. Pump pressure is 0-7Mpa. All step-less adjustable.
- ★ Simple structure, light weight, easy maintenance.
- ★ Double-cylinder and single-acting grouting pump: grouting continuous and low pulse.
- ★ The latest improvement design of valve chamber: It is quickly convenient cleaning.
- ★ Grouting pump outlet is equipped with buffer. This can further reduce the grouting pressure fluctuations.
- ★ Delivery with special tools. This can ensure change the pistons rapidly, reduce the time of replacing.
- ★ Less spare parts ensure low maintenance costs.
- ★ High speed slurry pump vortex mixer ensures mix quickly and evenly.
- ★ Mixer and agitator switch by using squeeze handle, it is safe, reliable and easy to operate.

Application

- ★ **Civil engineering** - dam, tunnel, subway, mine, soil nailing wall, curtain, anchor, cable trench and anchor grouting;
- ★ **Building structure** - building and bridge repair, foundation reinforcement, slope support, soil compaction, rock grouting;
- ★ **Engineering** - underwater foundation, offshore platform, coast foundation grouting reinforcement
- ★ **Mine application** - roadway reinforcement, backfill, waterproof grouting.
- ★ Acted as a grouting plant in the Pipe Jacking Machine.

Model Definition



Specification:

Description	Data
Grout Station model	LGP350-800-70PI-E
Dimensions	2590*2100*1980mm
Weight	1950kg
Mixer	
Capacity	350L
Output	5m ³ /h
Suitable water/cement ratio	≥0.5:1
Motor Power	15Kw
Rated Rev.	1450rpm
Agitator	
Capacity	800L
Motor model	1.5KW
Rated Rev.	35rpm
Pump(hydraulic twin-cylinder)	
Output	0-70L/min (70L/min, at 3Mpa)
Pressure	0-7MPa
Power	15Kw

Detailed Part





Newest design and easily to replace the piston

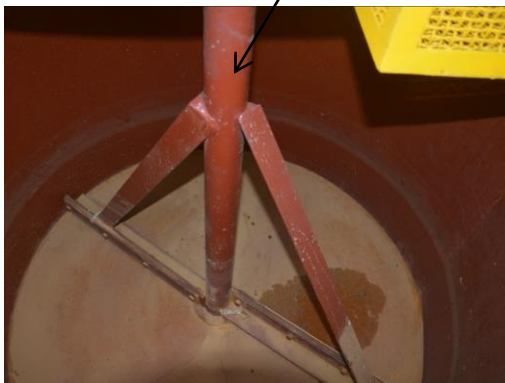


Electric control box

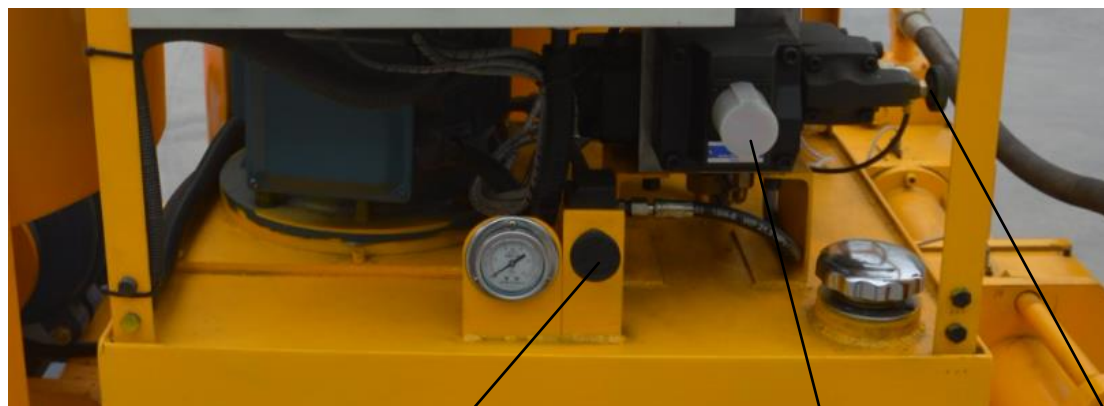
Hydraulic system

Squeeze handle: Mixer and transfer control

Special squeeze hose (resistant to more than 50000 times extrusion), no valve switch device



Hydraulic Valve (The following valve have been adjusted and set in factory, no need adjust in use)



Pressure Regulator Valve

Speed Regulating Valve

Safety Valve

郑州佰利得机器制造有限公司

Zhengzhou Lead Equipment Co., Ltd.

地址 ADD: 郑州市中原区西流湖街道办事处铁炉村西四环东
Xisihuan Ring-Road East, Tielu, Xiliu lake sub-district,
Zhongyuan District, Zhengzhou, Henan

网址 (Web): <http://www.leadcrete.com> E-Mail: sales@leadcrete.com

电话 TEL.: +86-371-63902781, 55019537 传真 FAX: +86-371-63526676